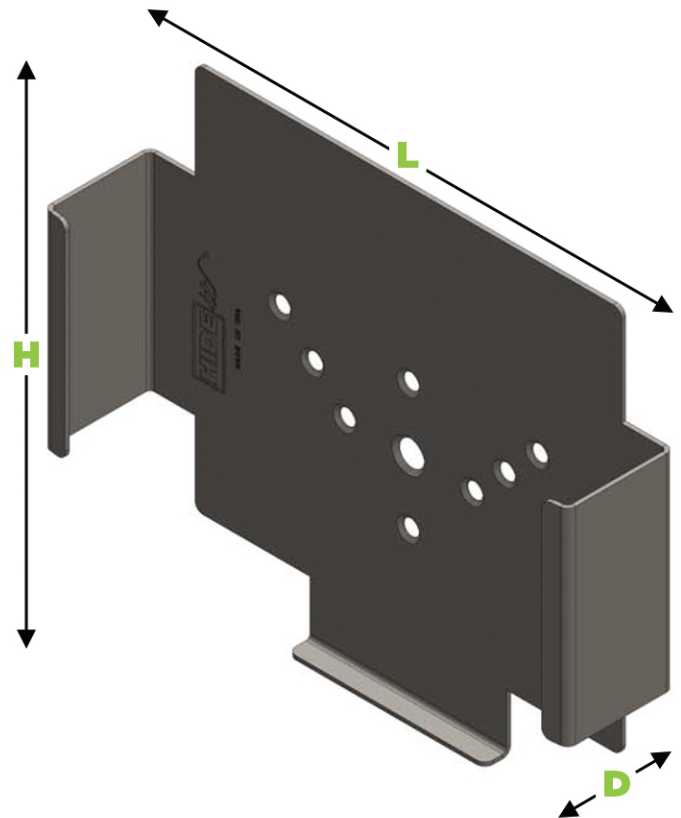
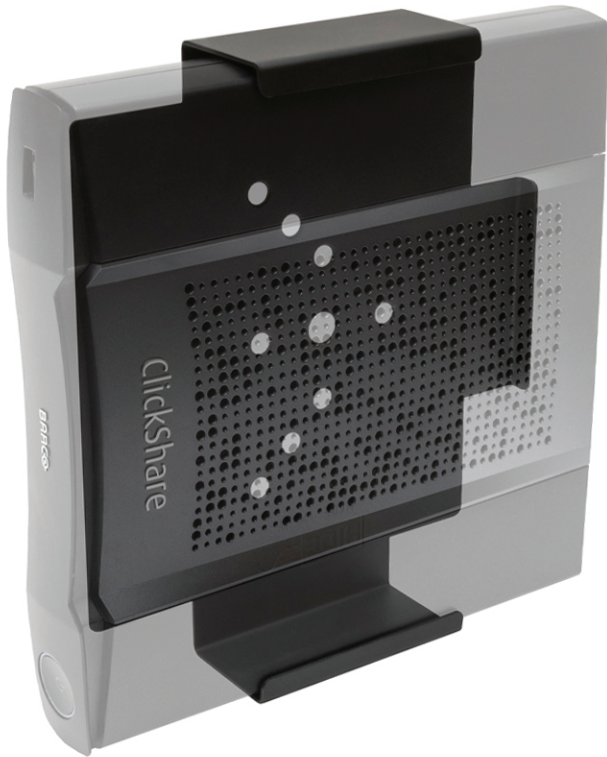


WALL MOUNT FOR BARCO

HIDEit CX50 | BARCO CLICKSHARE CX-50 MODEL



FEATURES

- Discretely Hide the Barco ClickShare CX-50 and Free Up Valuable Space.
- Quick and Easy to Install. Minimal Tools Needed.
- VESA Mounting for 75mm or 100mm using M4 or M6 VESA screws.
- Easy Access to Ports + Cables. Won't Interfere with Wi-Fi.
- Cold-Rolled Steel with Powder-Coated Finish For Superior Strength and Durability.
- Made in USA from Recycled & Imported Steel.

SPECS

HEIGHT	172mm
LENGTH	203mm
DEPTH	41mm
INCLUDED	#8 x 1.25" Drywall Screws, Anchors, M4 + M6 Screws
MATERIAL	16-Gauge Steel
COLOR	Black Powder-Coat