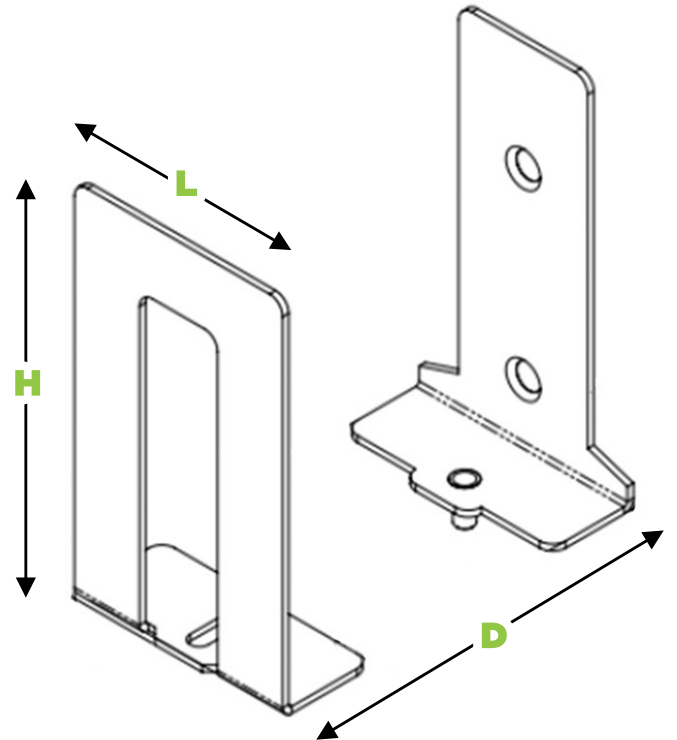


# HIDEit Uni-XS

## Adjustable Extra Small Device Wall Mount



### FEATURES

- Adjustable Depth to Fit a Wide Range of Small Electronic Components.
- Great for Baluns, HDMI Extenders, + Pi Computers
- Easy Access to Buttons, Jacks and Cables on Either Side.
- VESA Mount Using Uni-VESA Adapter Bracket.
- Quick + Easy to Install. No Measuring or Templates.
- Made in USA from Recycled + Imported Cold-Rolled Steel.

### SPECS

HEIGHT	3.25in
LENGTH	2.00in
DEPTH	0.75 up to 1.10in
INCLUDED	#8 x 1.25" Drywall Screws, Anchors, Black Thumb Nut
MATERIAL	16-Gauge Cold-Rolled Steel
COLOR	Black Powder-Coat