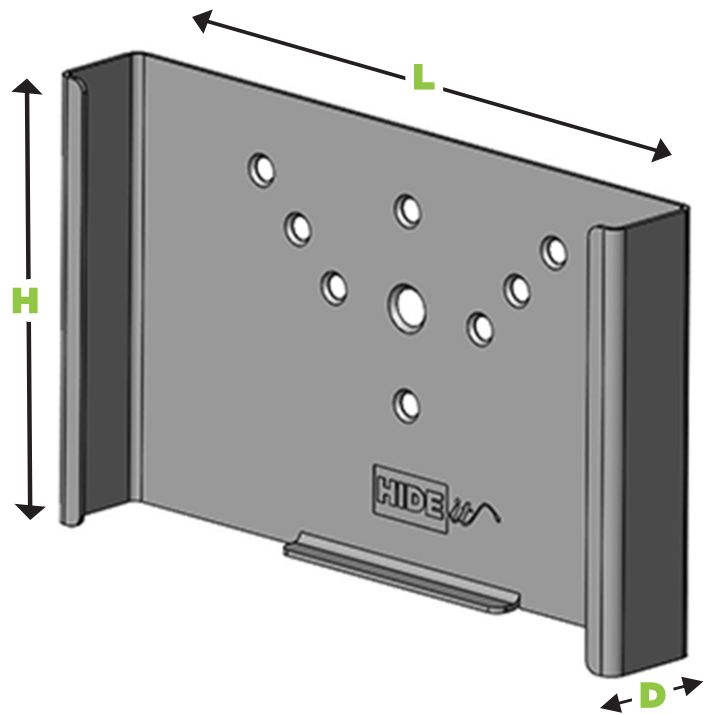


WALL MOUNT FOR Control4

HIDEit EA1 | Control4 EA-1 Controller Mount



FEATURES

- Versatile Mounting Solution. Wall, VESA or Under-Shelf Mount. Route Cords Any Direction.
- Custom Wrap Design Ensures a Secure Fit.
- #8 Wall or M4 75mm and 100mm VESA Mounting.
- M6 Hole also Works with Flat-Head M8 Bolt.
- Quick + Easy to Install. No Measuring or Templates.
- Made in USA from Recycled & Imported Cold-Rolled Steel.

SPECS

HEIGHT	116mm
LENGTH	195mm
DEPTH	33mm
INCLUDED	#8 x 1.25" Drywall Screws, Anchors, M4 + M6 Screws
MATERIAL	16-Gauge Cold-Rolled Steel
COLOR	Black Powder-Coat