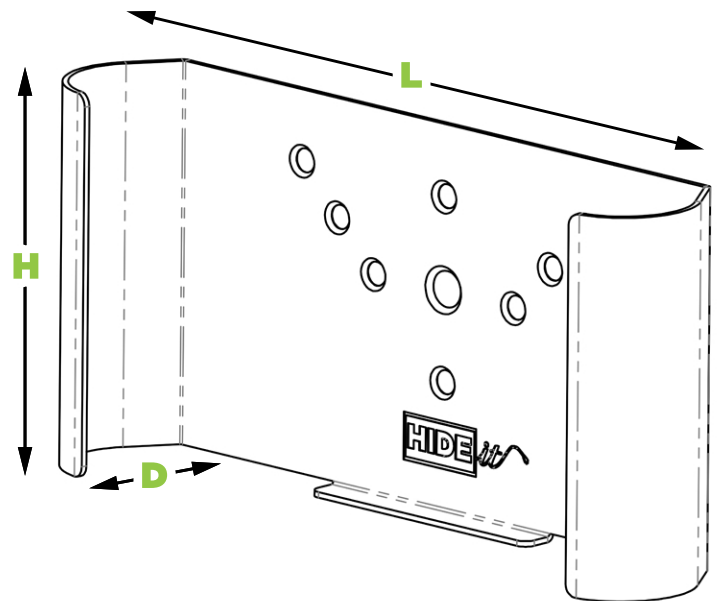


WALL MOUNT FOR BARCO

HIDEit CSE | BARCO CS-100 + CSE-200 MODELS



FEATURES

- Discretely Hide the Barco CS-100 + CSE-200 and Free Up Valuable Space.
- Easy to Install, No Measuring, No Templates.
- VESA Mounting for 75mm or 100mm Using M4 or M6 VESA Screws.
- Easy Access to Buttons, Jacks, and Cables.
- Cold-Rolled Steel with Powder-Coated Finish For Superior Strength and Durability.
- Made in USA from Recycled & Imported Steel.

SPECS

HEIGHT	205mm
LENGTH	115mm
DEPTH	45mm
INCLUDED	#8 x 1.25" Drywall Screws, Anchors, M4 + M6 Screws
MATERIAL	16-Gauge Steel
COLOR	Black Powder-Coat