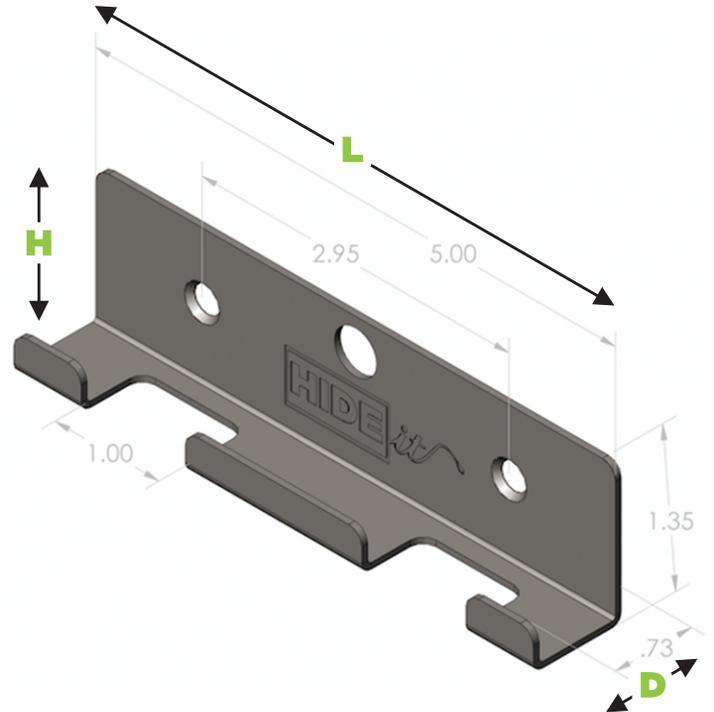


WALL MOUNT FOR BARCO

HIDEit CSE Button | ClickShare Button Mount



FEATURES

- Simple Storage Solution for ClickShare Buttons. Perfect Accessory to the HIDEit CSE Barco Mount.
- Custom Fit Design Holds Two ClickShare Buttons.
- #8 Wall or M4 75mm VESA Mounting. Single Hole M6 VESA Capability.
- Organized Setups + Easy Access to Equipment.
- Cold-Rolled Steel with Powder-Coated Finish For Superior Strength and Durability.
- Made in USA from Recycled & Imported Steel.

SPECS

HEIGHT	33mm
LENGTH	127mm
DEPTH	22mm
INCLUDED	#8 x 1.25" Drywall Screws, Anchors, M4 + M6 Screws
MATERIAL	16-Gauge Cold-Rolled Steel
COLOR	Black Powder-Coat