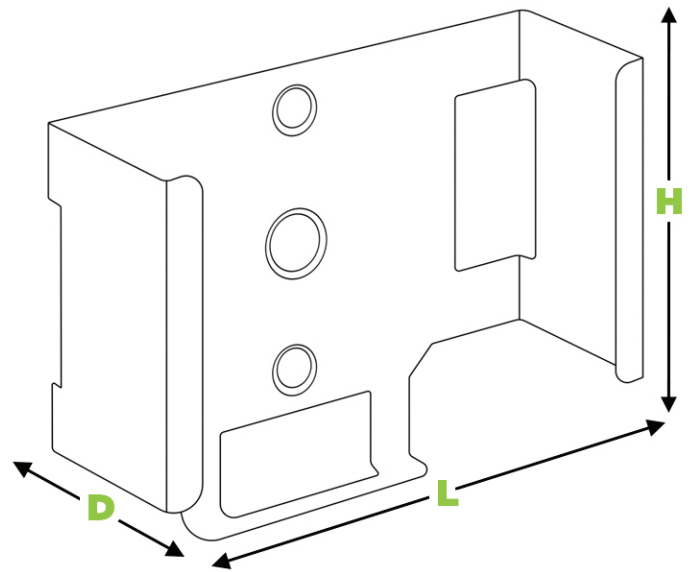


WALL MOUNT FOR APPLE TV® 4K 3RD GENERATION

HIDEit ATV4K 3G | Apple TV® 4K 3rd Gen Mount



FEATURES

- Versatile Mounting Solution for 3.66" x 3.66" x 1.2" Device. Wall, VESA or Under-Desk Mount.
- Patented Custom Wrap Design Ensures a Secure Fit.
- #8 Wall or M4/M6 VESA Mounting.
- Doesn't Block Ports. Route Cords Any Direction.
- Quick + Easy to Install. No Measuring or Templates.
- Made from Recycled & Imported Cold Rolled Steel. Available as Made in USA.

SPECS

HEIGHT	3.00 in (76mm)
LENGTH	3.75 in (95mm)
DEPTH	1.65 in (42mm)
INCLUDED	#8 x 1.25" Drywall Screws, Anchors, M4 + M6 Screws
MATERIAL	16-Gauge Cold-Rolled Steel
COLOR	Black Powder-Coat